

Hazardous Location Supervised Warning Light

Model 154XST



RUGGED DESIGN FOR USE IN HAZARDOUS LOCATIONS

- Available in 24VDC
- Four wires and supervisory diode
- Six dome colors
- 10,000-hour high-intensity strobe
- 3/4-inch pipe mount
- Dome guard included
- Type 4X, IP66 enclosure
- Marine Rated
- Supervisable 4-wire power circuit
- CSFM Approved
- CSA Certified for indoor/outdoor use
- UL and cUL Listed

Federal Signal's Model 154XST hazardous location strobe light provides 80 high-intensity flashes per minute. This warning light is available in 24VDC with a 4-wire supervisable power circuit for fire alarm and suppression supervised control panels.

The Model 154XST strobe light is UL and cUL Listed and CSA Certified for Class I, Division 2, Groups A, B, C and D; Class II, Division 1, Groups E, F and G; and Class III.

The 154XST meets Type 4X water-tight, dust-tight, and corrosion-resistant requirements; constructed to IP66. This hazardous location warning light has an aluminum base, coated for corrosion-resistance that is ready for mounting on a 3/4-inch pipe. The Dome Guard (included) fits over the glass dome to protect it against accidental collision with moving equipment, such as forklifts. The 154XST contains a diode and four wire leads for use in fire alarm applications.

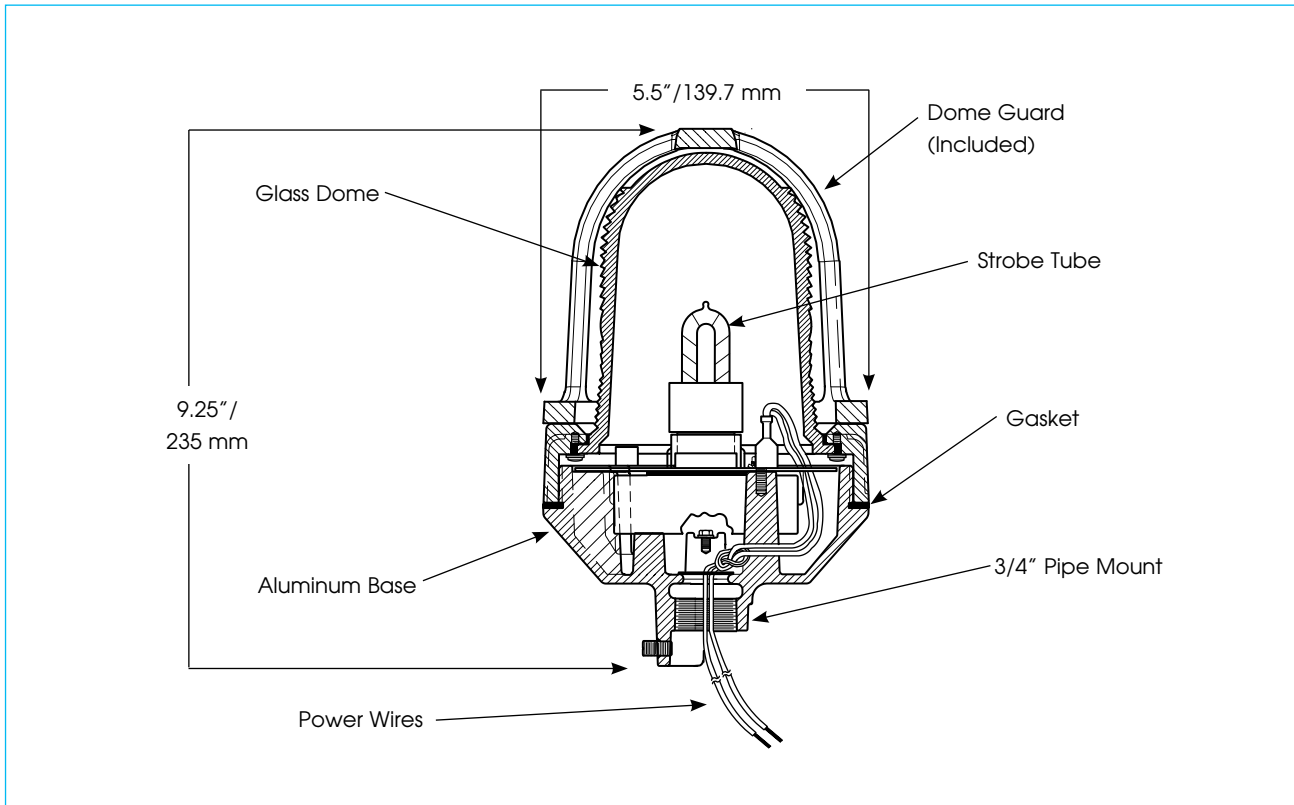
The 154XST has an effective candela (ECP) of 165 and a 520,000 peak candela. It is available in six dome colors, including amber, blue, clear, green and red (magenta upon request).

Federal Signal's rugged 154XST strobe warning light is specifically designed for hazardous locations or corrosive environments where a very bright visual signal is required. This warning light can be used for plant evacuation or other communication needs.

Model	Voltage	Current Draw	Flash Rate/Minute	Candela Peak
154XST	24VDC	0.60 amps	80	520,000



HAZARDOUS LOCATION STROBE LIGHT (154XST)



SPECIFICATIONS

Lamp Life ¹ :	10,000 Hours	10,000 Hours
Lamp Style:	Strobe	Strobe
Operating Temperature ² :	-31°F to 150°F	-35°C to 66°C
Op. Temp. Factory Tested ³ :	-67°F to 150°F	-55°C to 66°C
Net Weight:	3.8 lbs.	1.7 kg
Shipping Weight:	4.5 lbs.	2.0 kg
Height:	9.25"	235 mm
Diameter:	5.5"	139.7 mm

¹ Optimal hours under ideal conditions.

² Tested to UL and cUL Standards.

³ Tested according to ULC test procedures.

HOW TO ORDER

- Specify model, voltage and color
- Please refer to Model Number Index 151XST beginning on page 376

REPLACEMENT PARTS

Description	Part Number	Description	Part Number
Series C Dome and Ring Assembly*			
Dome & Ring Assembly, Amber	K8449078C-01	PC Assembly, 24VDC	K2001173A
Dome & Ring Assembly, Blue	K8449078C-02	Strobe Tube	K149122B
Dome & Ring Assembly, Clear	K8449078C-04	Dome Gaskets	K8449080B
Dome & Ring Assembly, Green	K8449078C-03	Guard	K8449090B
Dome & Ring Assembly, Red	K8449078C		
Dome & Ring Assembly, Magenta	K8449078C-05		

* Call the factory for Series A and B part numbers.